



GESTION DE LA QUALITÉ

MANUEL

Système de gestion de la qualité

Fiche technique

Advanced

1. Description du produit

- | | |
|--|---|
| 1.1. Format des planches | 1380 x 193 x 8 mm |
| 1.2. Emballage | 8 planches par paquet = 2,131 m ² |
| 1.3. Montage | |
| - Surface | résine de mélamine réticulée tridimensionnelle avec corindon, |
| - Décor | résine de mélamine réticulée tridimensionnelle |
| - Couche centrale | panneau de fibres à haute densité, HDF |
| - Contre-parement | résine de mélamine réticulée tridimensionnelle |
| 1.4. Pose | système de blocage mécanique – Clic-System
Nouveau Clic-System innovant, gain de temps de
50 % montage flottant selon les instructions de
pose |
| 1.5. Classification | ISO 10874 classe 23 : Habitation : Forte sollicitation
Classe 32 : Commercial : Sollicitation moyenne

selon EN 15468

Marquage EN 14041 CE |
| 1.6. Comportement au feu | EN 13501 C _{fl} – s1 (difficilement inflammable ~ B1) |
| 1.7. Comportement en matière d'émissions | E1 garantit moins de 0,05 ppm |
| 1.8. Comportement au glissement | classe technique DS |
| 1.9. Chauffage au sol | Résistance thermique selon DIN EN 12667 R= 0,0587 [(m ² * K)/W] |

Advanced

	Caractéristique	Exigence	Unité	Méthode d'essai
1.	Échantillonnage			EN 13329
2.	Épaisseur	8	mm	EN 13329
3.	Classe de sollicitation	21 - 32		EN 13329
4.	Résistance à l'usure	AC4		EN 13329
5.	Résistance à la contrainte de choc	petite boule ≥ 12 N grande boule ≥ 750 mm		EN 13329
6.	Gonflement en épaisseur	< 18	%	EN 13329 annexe G
7.	Résistance aux taches	Degré 5 (groupe 1 à 2) Degré 4 (groupe 3)		EN 438
8.	Résistance à la traction transversale	> 1,2	N/mm ²	EN 319
9.	Résistance au décollement	> 1,5	N/mm ²	EN 311
10.	Résistance à l'extraction	FI 0,2 ≥ 1 Fs 0,2 ≥ 2	kN/m	ISO 24334
11.	Largeur de la couche supérieure	$\pm 0,1$	mm	EN 13329
12.	Longueur de la couche supérieure	$\pm 0,3$	mm	EN 13329
13.	Perpendicularité	max 0,2	mm	EN 13329
14.	Rectitude des arêtes	< 0,3	mm/m	EN 13329
15.	Différences de hauteur	max 0,15	mm	EN 13329
16.	Ouverture des joints	max 0,2	mm	EN 13329
17.	Formaldéhyde	<0,05	ppm	EN 717-1

Établi le (Date, signature) Assurance qualité	Contrôlé et validé (Date, signature) 25/07/2019 Schmaltz	
---	--	--

ENVIRONMENTAL PRODUCT DECLARATION

as per ISO 14025 and EN 15804+A2

Owner of the Declaration	European Producers of Laminate Flooring e.V.
Programme holder	Institut Bauen und Umwelt e.V. (IBU)
Publisher	Institut Bauen und Umwelt e.V. (IBU)
Declaration number	EPD-EPL-20210138-CBE1-EN
Issue date	09/07/2021
Valid to	08/07/2026

Direct Pressure Laminate Floor Covering (DPL Floor Covering)

European Producers of Laminate Flooring e.V.

www.ibu-epd.com | <https://epd-online.com>



General Information

European Producers of Laminate Flooring e.V.

Programme holder

IBU – Institut Bauen und Umwelt e.V.
Panoramastr. 1
10178 Berlin
Germany

Declaration number

EPD-EPL-20210138-CBE1-EN

This declaration is based on the product category rules:

Floor coverings, 02/2018
(PCR checked and approved by the SVR)

Issue date

09/07/2021

Valid to

08/07/2026

Direct Pressure Laminate Floor Covering (DPL Floor Covering)

Owner of the declaration

EPLF®
European Producers of Laminate Flooring e.V.
Mittelstr. 50
33602 Bielefeld
Germany

Declared product / declared unit

1m² of DPL floor covering

Scope:

This Environmental Product Declaration refers to a representative European DPL floor covering produced by manufacturers that are members of EPLF®. Data are based upon production during 2019 in Europe.

The laminate floor covering described in this EPD has a thickness of 8 mm and meets the requirements of the use classes: 21-23, 31-34 according to *EN 13329*, *EN ISO 10874*. In order to enable the user of the EPD to calculate the LCA results for different thicknesses and use classes, the EPD contains the respective calculation rules.

The owner of the declaration shall be liable for the underlying information and evidence; the IBU shall not be liable with respect to manufacturer information, life cycle assessment data and evidences.

The EPD was created according to the specifications of *EN 15804+A2*. In the following, the standard will be simplified as *EN 15804*.

Verification

The standard *EN 15804* serves as the core PCR
Independent verification of the declaration and data
according to *ISO 14025:2010*

internally externally

Dipl. Ing. Hans Peters
(chairman of Institut Bauen und Umwelt e.V.)

Dr. Alexander Röder
(Managing Director Institut Bauen und Umwelt e.V.)

Matthias Klingler
(Independent verifier)

Product

Information about the enterprise

The European network of the EPLF – the Association of European Producers of Laminate Flooring – is made up of laminate flooring producers, supplier companies and supporting members. This is the world's largest regional association for the laminate industry and it celebrates its 25th anniversary in 2019.

Product description/Product definition

DPL floor coverings described in this EPD are produced by member companies of EPLF®. The floor coverings meet the requirements of *EN 13329*. DPL floorings consist of a number of layers. On the top side there is a decor with a transparent, wear-resistant contact surface; in the middle there is a core layer

made of high-density wood fibres and on the back side there is a stabilizing layer to guarantee floor stability. The decorative paper of a DPL floor covering can be printed with any design and gives the floor its individual appearance.

According to EPLF the participating companies are representative for the declaration of the product, the weighting was done according to production volumes.

For the placing on the market of the product in the European Union/European Free Trade Association (EU/EFTA) (with the exception of Switzerland) Regulation (EU) No. 305/2011 (CPR) applies. The product needs a declaration of performance taking into consideration *EN 13329* and the CE-marking. For the

application and use the respective national provisions apply.

Application

The laminate floor covering described in this EPD is intended to be used within a building and meets the requirements of the use classes: 21-23, 31-34 according to *EN 13329*, *EN ISO 10874*.

For the application and use the respective national provisions apply.

Technical Data

Constructional data

Name	Value	Unit
Grammage	7090	g/m ²
Abrasion Class EN 13329	AC1-AC6	-
Product Form	panel	-
Thickness of the element	8	mm
Length of the surface layer	300 - 2500	mm
Width of the surface layer	70 - 400	mm
Length and width of squared elements	250 - 700	mm
Density	800 - 1200	kg/m ³

Performance data of the product in accordance with the declaration of performance with respect to its essential characteristics according to *EN 13329*.

Base materials/Ancillary materials

The composition of a DPL floor covering in mass % is:

- 90-95 % High Density Fibre board (HDF)
- 1-3 % paper
- 4-7 % resin
- <1 % corundum

HDF (high-density fibreboard)

The core board is an HDF board composed of wood fibres and a thermosetting resin, mainly MUF (melamine-urea-formaldehyde) resin.

Paper

The renewable resource wood is the main raw material for paper production.

Resins

The used amino resins are melamine-urea-formaldehyde resins. Amino resins are thermosetting resins that are cured using heat and pressure.

Corundum

Bauxite is the mineral resource of corundum. By using aluminiumoxide (Al₂O₃) the surface layer of a laminate flooring obtains abrasion and wear resistance.

DPL floor coverings do not contain substances that are listed in the "Candidate List of Substances of Very High Concern for Authorisation" *REACH*.

This product contains substances listed in the candidate list (date: 02.03.2021) exceeding 0.1 percentage by mass: **NO**.

Reference service life

The estimated service life of a floor covering depends e.g. on the type of floor covering and the area of application, the user and the maintenance of the product. Comparisons of different floor coverings are only allowed if these parameters are considered in a consistent way. A minimum service life of 20 years can be assumed according to Bundesinstitut für Bau-, Stadt- und Raumforschung (*BBSR*), technical service life can be considerably longer. The use stage is declared in this EPD for a one-year usage.

LCA: Calculation rules

Declared Unit

The declared unit is 1m² laminate flooring (7.09 kg/m², thickness 8 mm)

Declared unit

Name	Value	Unit
Declared unit	1	m ²
Conversion factor to 1 kg (mass in kg per declared unit)	7.09	-
Mass in kg per declared unit	7.09	kg/m ²

System boundary

Type of EPD: cradle to gate with options, modules C1–C4, and module D (A1–A3 + C + D and additional modules A4, A5 and B2).

Modules A1-A3 include processes that provide materials and energy input for the system, manufacturing and transport processes up to the factory gate, as well as waste processing.

Module A4 includes the transport to the point of installation.

Module A5 includes packaging waste processing during the construction process. A waste treatment in a waste incineration plant is assumed. Credits from energy substitution are declared in module D.

Module B2 includes the cleaning of the floor covering. Provision of water, cleaning agent and electricity for the cleaning of the floor covering is considered, incl. waste water treatment. The LCA results in this EPD are declared for a one-year usage.

Module C includes dismantling (C1) and transport to waste a treatment site (C2). It is assumed that dismantling is manually done without environmental burdens, The DPL floor coverings reach the end-of-waste state after dismantling and transport to a waste treatment site from the building.

Module D includes benefits from all net flows in the end-of-life stage that leave the product boundary system after having passed the end-of-waste state. It is assumed that post-consumer DPL floor covering waste reaches the end-of-waste state and is 100% incinerated in a European biomass power plant. Loads from material incineration and resulted potential energy credits (electricity and thermal energy) are declared

within module D.

Module D contains the loads and potential benefits beyond the system boundary. Biogenic CO₂ incorporated in the wood fraction of the DPL flooring is released in module C3.

Comparability

Basically, a comparison or an evaluation of EPD data is only possible if all the data sets to be compared were created according to EN 15804 and the building context, respectively the product-specific characteristics of performance, are taken into account.

GaBi ts (CUP 2020.2) is the background database for the calculation..

Factors for different thicknesses

The LCA results for the DPL floor covering declared in this EPD refer to a laminate flooring with a thickness of 8 mm, which meets the requirements of the use classes: 21-23, 31-34 according to EN 13329, EN ISO 10874. In order to enable the user of the EPD to calculate the results for different thicknesses and use classes the factors in the following table can be used for the calculation. For A1-A3, A4, A5, C2, C3 and D the LCA results of the declared product (thickness 9mm) have to be multiplied with these factors.

Factors to calculate the results for module A1-A3 for different DPL floorings

thickness	7mm	10mm	12mm	14mm
Use class	23-33	23-33	23-33	23-33
Parameter				
GWP	0.93	1.44	1.83	1.99
GWP - Fossil	0.86	1.18	1.33	1.82
GWP - biogenic	0.88	1.26	1.48	1.87
GWP - LULUC	0.87	1.20	1.32	1.77
ODP	0.79	1.22	0.90	0.92
AP	0.85	1.23	1.37	1.76
EP Freshwater	0.88	1.15	1.14	1.82
EP Marine	0.85	1.19	1.35	1.91
EP Terrestrial	0.85	1.23	1.39	1.78
POCP	0.85	1.23	1.38	1.78
ADPE	0.87	1.18	1.31	1.75
ADPF	0.86	1.18	1.34	1.84
Water scarcity	0.86	1.21	1.30	1.62

Factors to calculate the results for module A5 for different DPL floorings

thickness	7mm	10mm	12mm	14mm
Use class	23-33	23-33	23-33	23-33
Parameter				
GWP	0.99	1.31	1.38	1.40
GWP - Fossil	0.91	1.28	1.07	1.09
GWP - biogenic	1.00	1.32	1.43	1.45
GWP - LULUC	0.96	1.29	1.24	1.26
ODP	0.97	1.29	1.28	1.30
AP	0.97	1.28	1.27	1.29
EP Freshwater	0.96	1.28	1.24	1.26
EP Marine	0.96	1.28	1.26	1.28
EP Terrestrial	0.97	1.28	1.28	1.30
POCP	0.96	1.28	1.26	1.28
ADPE	0.97	1.29	1.29	1.31
ADPF	0.97	1.29	1.30	1.32
Water scarcity	0.98	1.30	1.35	1.37

Factors to calculate the results for modules A4, C2, C3 and D for different DPL floorings

thickness	7mm	10mm	12mm	14mm
Use class	23-33	23-33	23-33	23-33
Valid for all parameters				
A4	0.87	1.24	1.46	1.85
C2	0.87	1.24	1.46	1.85
C3	0.87	1.25	1.48	1.86
D	0.87	1.24	1.46	1.86

LCA: Scenarios and additional technical information

Characteristic product properties

Information on biogenic Carbon

The biogenic carbon content quantifies the amount of biogenic carbon in a construction product leaving the factory gate, and it shall be separately declared for the product and for any accompanying packaging.

Note: 1 kg biogenic carbon is equivalent to 44/12 kg of CO₂

Information on describing the biogenic carbon content at factory gate

Name	Value	Unit
Biogenic Carbon Content in product	3.25	kg C
Biogenic Carbon Content in accompanying packaging	0.09	kg C

The following technical information is a basis for the declared modules or can be used for developing specific scenarios in the context of a building assessment.

Transport to the construction site (A4)

Name	Value	Unit
Litres of fuel (consumption per kg)	0.00159	l/100km
Transport distance	250	km
Capacity utilisation (including empty runs)	85	%
Gross density of products transported	800-1200	kg/m ³

Installation in the building (A5)

Name	Value	Unit
Output substances following waste treatment on-site packaging waste	0.231	kg

The amount of installation waste varies and is not declared in this EPD. For the calculation of the environmental impact of 1m² laminate flooring including a certain amount of installation waste the values for the production stage (A1-A3), delivery (A4) and end of life (C, D) have to be multiplied with the amount of waste (e.g. 3% installation waste, factor 1.03).

Maintenance (B2)

Name	Value	Unit
Maintenance cycle (cleaning frequency per year)	120 times/year	Number/R SL
Water consumption (per year)	0.0068	m ³
Auxiliary (per year)	0.0507	kg
Electricity consumption (per year)	0.074	kWh

The common cleaning method for laminate floor coverings is damp mopping. Loose dirt should be removed by means of a dry mop or a vacuum cleaner. In case of higher requirements on hygiene (e.g. hospitals, care homes) or strongly frequented areas (shops) a need for a higher cleaning frequency is possible.

Reuse, recovery and/or recycling potentials (D), relevant scenario information

100% of post-consumer waste (7.09kg) is incinerated

in a biomass power plant.

End of Life (C1-C4)

Name	Value	Unit
Collected separately	7.09	kg

LCA: Results

The results for module B2 refer to a period of one year.

Note: The results declared for EP-freshwater are declared in the unit “P eq.” according to the European Platform on Life Cycle Assessment (<http://eplca.jrc.ec.europa.eu/LCDN/developerEF.xhtml>). This web link is provided in EN 15804+A2, clause 6.3.8.2.

DESCRIPTION OF THE SYSTEM BOUNDARY (X = INCLUDED IN LCA; ND = MODULE OR INDICATOR NOT DECLARED; MNR = MODULE NOT RELEVANT)

PRODUCT STAGE			CONSTRUCTION PROCESS STAGE		USE STAGE							END OF LIFE STAGE				BENEFITS AND LOADS BEYOND THE SYSTEM BOUNDARIES
Raw material supply	Transport	Manufacturing	Transport from the gate to the site	Assembly	Use	Maintenance	Repair	Replacement	Refurbishment	Operational energy use	Operational water use	De-construction demolition	Transport	Waste processing	Disposal	Reuse-Recovery-Recycling-potential
A1	A2	A3	A4	A5	B1	B2	B3	B4	B5	B6	B7	C1	C2	C3	C4	D
X	X	X	X	X	ND	X	MNR	MNR	MNR	ND	ND	X	X	X	ND	X

RESULTS OF THE LCA - ENVIRONMENTAL IMPACT according to EN 15804+A2: 1 m² DPL Floor Covering (8mm)

Core Indicator	Unit	A1-A3	A4	A5	B2	C1	C2	C3	D
GWP-total	[kg CO ₂ -Eq.]	-2.65E+0	4.37E-2	2.77E-1	1.70E-1	0.00E+0	4.23E-2	1.19E+1	-6.67E+0
GWP-fossil	[kg CO ₂ -Eq.]	5.93E+0	4.34E-2	3.63E-2	1.58E-1	0.00E+0	4.21E-2	0.00E+0	-6.66E+0
GWP-biogenic	[kg CO ₂ -Eq.]	-8.58E+0	0.00E+0	2.41E-1	-3.32E-2	0.00E+0	0.00E+0	1.19E+1	0.00E+0
GWP-luluc	[kg CO ₂ -Eq.]	6.25E-3	3.51E-4	4.13E-6	4.53E-2	0.00E+0	3.40E-4	0.00E+0	-5.28E-3
ODP	[kg CFC11-Eq.]	2.70E-12	5.21E-18	4.47E-17	8.19E-9	0.00E+0	5.05E-18	0.00E+0	-7.91E-14
AP	[mol H ⁺ -Eq.]	1.70E-2	1.43E-4	5.26E-5	4.67E-4	0.00E+0	1.39E-4	0.00E+0	3.99E-3
EP-freshwater	[kg PO ₄ -Eq.]	1.41E-5	1.32E-7	7.65E-9	6.01E-6	0.00E+0	1.28E-7	0.00E+0	-9.72E-6
EP-marine	[kg N-Eq.]	8.10E-3	6.48E-5	1.79E-5	1.26E-4	0.00E+0	6.28E-5	0.00E+0	9.20E-4
EP-terrestrial	[mol N-Eq.]	6.20E-2	7.25E-4	2.41E-4	1.29E-3	0.00E+0	7.02E-4	0.00E+0	1.11E-2
POCP	[kg NMVOC-Eq.]	1.56E-2	1.27E-4	4.80E-5	4.61E-4	0.00E+0	1.23E-4	0.00E+0	4.02E-3
ADPE	[kg Sb-Eq.]	9.32E-7	3.11E-9	6.99E-10	1.37E-7	0.00E+0	3.01E-9	0.00E+0	-1.20E-6
ADPF	[MJ]	1.19E+2	5.77E-1	7.48E-2	3.41E+0	0.00E+0	5.59E-1	0.00E+0	-1.14E+2
WDP	[m ³ world-Eq deprived]	6.61E-1	3.88E-4	3.06E-2	5.51E-2	0.00E+0	3.75E-4	0.00E+0	-3.85E-1

Caption: GWP = Global warming potential; ODP = Depletion potential of the stratospheric ozone layer; AP = Acidification potential of land and water; EP = Eutrophication potential; POCP = Formation potential of tropospheric ozone photochemical oxidants; ADPE = Abiotic depletion potential for non-fossil resources; ADPF = Abiotic depletion potential for fossil resources; WDP = Water (user) deprivation potential

RESULTS OF THE LCA - INDICATORS TO DESCRIBE RESOURCE USE according to EN 15804+A2: 1 m² DPL Floor Covering (8mm)

Indicator	Unit	A1-A3	A4	A5	B2	C1	C2	C3	D
PERE	[MJ]	3.10E+1	3.24E-2	3.06E+0	9.13E-1	0.00E+0	3.14E-2	0.00E+0	-2.81E+1
PERM	[MJ]	1.08E+2	0.00E+0	-3.05E+0	0.00E+0	0.00E+0	0.00E+0	-1.05E+2	0.00E+0
PERT	[MJ]	1.39E+2	3.24E-2	1.40E-2	9.13E-1	0.00E+0	3.14E-2	-1.05E+2	-2.81E+1
PENRE	[MJ]	9.54E+1	5.78E-1	5.79E-1	3.41E+0	0.00E+0	5.60E-1	0.00E+0	-1.14E+2
PENRM	[MJ]	2.32E+1	0.00E+0	-5.04E-1	0.00E+0	0.00E+0	0.00E+0	-2.27E+1	0.00E+0
PENRT	[MJ]	1.19E+2	5.78E-1	7.48E-2	3.41E+0	0.00E+0	5.60E-1	-2.27E+1	-1.14E+2
SM	[kg]	7.74E-3	0.00E+0	0.00E+0	0.00E+0	0.00E+0	0.00E+0	0.00E+0	0.00E+0
RSF	[MJ]	0.00E+0	0.00E+0	0.00E+0	0.00E+0	0.00E+0	0.00E+0	0.00E+0	0.00E+0
NRSF	[MJ]	0.00E+0	0.00E+0	0.00E+0	0.00E+0	0.00E+0	0.00E+0	0.00E+0	0.00E+0
FW	[m ³]	3.20E-2	3.76E-5	7.21E-4	1.41E-3	0.00E+0	3.64E-5	0.00E+0	-2.33E-2

Caption: PERE = Use of renewable primary energy excluding renewable primary energy resources used as raw materials; PERM = Use of renewable primary energy resources used as raw materials; PERT = Total use of renewable primary energy resources; PENRE = Use of non-renewable primary energy excluding non-renewable primary energy resources used as raw materials; PENRM = Use of non-renewable primary energy resources used as raw materials; PENRT = Total use of non-renewable primary energy resources; SM = Use of secondary material; RSF = Use of renewable secondary fuels; NRSF = Use of non-renewable secondary fuels; FW = Use of net fresh water

RESULTS OF THE LCA – WASTE CATEGORIES AND OUTPUT FLOWS according to EN 15804+A2: 1 m² DPL Floor Covering (8mm)

Indicator	Unit	A1-A3	A4	A5	B2	C1	C2	C3	D
HWD	[kg]	3.71E-7	2.69E-8	1.09E-10	5.52E-5	0.00E+0	2.60E-8	0.00E+0	-4.53E-8
NHWD	[kg]	1.25E-1	8.84E-5	7.15E-3	8.06E-3	0.00E+0	8.56E-5	0.00E+0	5.00E-3
RWD	[kg]	4.01E-3	7.15E-7	3.94E-6	1.04E-4	0.00E+0	6.93E-7	0.00E+0	-9.60E-3
CRU	[kg]	0.00E+0	0.00E+0	0.00E+0	0.00E+0	0.00E+0	0.00E+0	0.00E+0	0.00E+0
MFR	[kg]	0.00E+0	0.00E+0	0.00E+0	0.00E+0	0.00E+0	0.00E+0	0.00E+0	0.00E+0
MER	[kg]	0.00E+0	0.00E+0	0.00E+0	0.00E+0	0.00E+0	0.00E+0	7.09E+0	0.00E+0
EEE	[MJ]	0.00E+0	0.00E+0	3.78E-1	0.00E+0	0.00E+0	0.00E+0	0.00E+0	0.00E+0
EET	[MJ]	0.00E+0	0.00E+0	6.82E-1	0.00E+0	0.00E+0	0.00E+0	0.00E+0	0.00E+0

Caption HWD = Hazardous waste disposed; NHWD = Non-hazardous waste disposed; RWD = Radioactive waste disposed; CRU = Components for re-use; MFR = Materials for recycling; MER = Materials for energy recovery; EEE = Exported electrical energy; EEE = Exported thermal energy

RESULTS OF THE LCA – additional impact categories according to EN 15804+A2-optional: 1 m² DPL Floor Covering (8mm)

Indicator	Unit	A1-A3	A4	A5	B2	C1	C2	C3	D
PM	[Disease Incidence]	1.88E-7	7.70E-10	3.16E-10	1.88E-8	0.00E+0	7.45E-10	0.00E+0	-2.49E-8
IR	[kBq U235-Eq.]	6.18E-1	1.03E-4	6.02E-4	2.10E-2	0.00E+0	1.00E-4	0.00E+0	-1.58E+0
ETP-fw	[CTUe]	3.50E+1	4.08E-1	3.73E-2	1.88E+0	0.00E+0	3.95E-1	0.00E+0	-2.74E+1
HTP-c	[CTUh]	5.04E-8	8.55E-12	2.17E-12	1.79E-10	0.00E+0	8.28E-12	0.00E+0	-2.67E-10
HTP-nc	[CTUh]	6.56E-8	4.99E-10	1.16E-10	6.85E-9	0.00E+0	4.83E-10	0.00E+0	3.20E-8
SQP	[-]	6.82E+2	2.03E-1	2.00E-2	2.57E+0	0.00E+0	1.96E-1	0.00E+0	-2.02E+1

Caption PM = Potential incidence of disease due to PM emissions; IR = Potential Human exposure efficiency relative to U235; ETP-fw = Potential comparative Toxic Unit for ecosystems; HTP-c = Potential comparative Toxic Unit for humans (cancerogenic); HTP-nc = Potential comparative Toxic Unit for humans (not cancerogenic); SQP = Potential soil quality index

Disclaimer 1 – for the indicator IRP

This impact category deals mainly with the eventual impact of low dose ionizing radiation on human health of the nuclear fuel cycle. It does not consider effects due to possible nuclear accidents, occupational exposure nor due to radioactive waste disposal in underground facilities. Potential ionizing radiation from the soil, from radon and from some construction materials is also not measured by this indicator.

Disclaimer 2 – for the indicators ADPE, ADPF, WDP, ETP-fw, HTP-c, HTP-nc, SQP

The results of this environmental impact indicator shall be used with care as the uncertainties on these results are high or as there is limited experience with the indicator.

References

Standards

EN 14041

EN 14041:2004: Resilient, textile and laminate floor coverings - Essential characteristics.

EN 13329

EN 13329: 2009-01: Laminate floor coverings - Elements with a surface layer based on aminoplastic thermosetting resins - Specifications, requirements and test methods.

EN ISO 10874

ISO 10874:2009: Resilient, textile and laminate floor coverings - Classification.

ISO 14025

DIN EN ISO 14025:2011-10, Environmental labels and declarations — Type III environmental declarations — Principles and procedures.

EN 15804

EN 15804:2019+A2, Sustainability of construction works — Environmental Product Declarations — Core rules for the product category of construction products.

IBU

Institut Bauen und Umwelt e.V.: General Instructions for the EPD Programme of Institut Bauen und Umwelt

e.V. Version 2.0, Berlin: Institut Bauen und Umwelt e.V., 2021.
www.ibu-epd.com

Further References

BBSR

Bundesinstitut für Bau-, Stadt- und Raumforschung (BBSR): Nutzungsdauer von Bauteilen für Lebenszyklusanalyse nach Bewertungssystem Nachhaltiges Bauen (BNB), 2011

GaBi Software

GaBi 10.0 dataset documentation for the software-system (CUP 2020.2) and databases, Sphera Solutions GmbH, Leinfelden-Echterdingen, 2020 (<http://documentation.gabi-software.com/>)

PCR Part A

Part A: Calculation Rules for the Life Cycle Assessment and Requirements on the Project Report according to EN 15804+A2:2019, Institut Bauen und Umwelt e.V. (IBU), <https://ibu-epd.com/>

PCR Part B

Institut Bauen und Umwelt e.V.: Requirements on the EPD for floor coverings, Version 1.2, 14.02.2018



REACH
Regulation (EC) No 1907/2006 of the European
Parliament and of the Council on the Registration,

Evaluation, Authorisation and Restriction of Chemicals

**Publisher**

Institut Bauen und Umwelt e.V.
Panoramastr. 1
10178 Berlin
Germany

Tel +49 (0)30 3087748- 0
Fax +49 (0)30 3087748- 29
Mail info@ibu-epd.com
Web www.ibu-epd.com

**Programme holder**

Institut Bauen und Umwelt e.V.
Panoramastr 1
10178 Berlin
Germany

Tel +49 (0)30 - 3087748- 0
Fax +49 (0)30 – 3087748 - 29
Mail info@ibu-epd.com
Web www.ibu-epd.com

**Author of the Life Cycle
Assessment**

Sphera Solutions GmbH
Hauptstraße 111- 113
70771 Leinfelden-Echterdingen
Germany

Tel +49 711 341817-0
Fax +49 711 341817-25
Mail info@sphera.com
Web www.sphera.com

**Owner of the Declaration**

European Producers of Laminate
Flooring (EPLF®)
Mittelstraße 50
33602 Bielefeld
Germany

Tel +49 521 13 69 760
Fax +49 521 9 65 33 11
Mail info@epf.com
Web www.epf.com,
www.mylaminate.eu

SWISS KRONO TEX GmbH & Co. KG

Titulaire du certificatWittstocker Chaussee 1
16909 Heiligengrabe
ALLEMAGNE

Chaîne de contrôle des produits forestiers

NormeChaîne de contrôle des produits forestiers - Exigences
(PEFC ST 2002:2013)

du

système**Base d'essai**Système de certification "Chaîne de contrôle des produits forestiers/chaîne de
contrôle" (CoC) (2014-02)**Méthode d'essai**

Méthode des pourcentages

**Champ
d'application**

Le système de contrôle de la chaîne de contrôle spécifie :

- le système d'information opérationnel avec la documentation sur l'origine de la matière première bois provenant de forêts certifiées PEFC et gérées de manière durable
- le personnel responsable du contrôle et de la mise en œuvre du système
- le contrôle des stocks et la documentation des flux de matières premières afin de surveiller le volume de bois certifié PEFC

Numéro

DC-COC-000005

d'enregistreme

2027-05-02

nt Valable

Voir l'annexe pour plus d'informations.

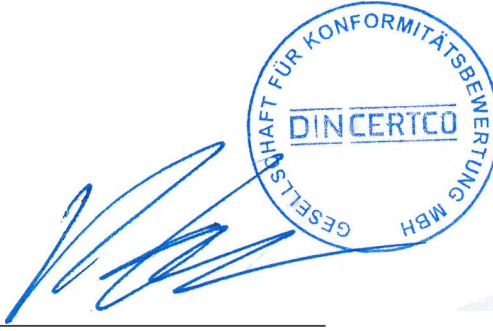
jusqu'au**Remarque(s)**

|
DAkks

Deutsche
Akkreditierungsstelle
D-ZE-11125-01-00

2022-05-03

Robert Zorn, M.Sc.
Directeur général





ANNEXE

Certificat Données techniques	DC-COC-000005 du 2022-05-03
	Origine de la matière première : <ul style="list-style-type: none">- Matériaux certifiés (matériaux forestiers, matériaux recyclés)- Matériau neutre- Autres matériaux
	Produits/groupes de produits couverts : 050400 Panneaux pour le transport 050601 Panneaux de fibres de moyenne densité (MDF) 050602 Panneaux de fibres de haute densité (HDF) 050502 Panneaux de lamelles orientées (OSB) 090304 Revêtements de sol





Laboratoire de développement et
de contrôle Holztechnologie
GmbH Zellescher Weg 24
01217 Dresden

Tél. : +49 351 4662 0
Télécopieur : +49 351 4662 211
info@eph-dresden.de
www.eph-dresden.de

Rapport de classification

Classification report

No : 2715005
No :

Classification du comportement au feu selon la norme **DIN EN 13501-1:2010**

Réaction au classement au feu selon la norme DIN EN 13501-1:2010

Mandant (AG) : SWISS KRONO GROUP
Client : Kronotex GmbH & Co.
KG Monsieur Thomas
Schmaltz Wittstocker
Chaussee 1
16909 Heiligengrabe

fabricant : voir donneur d'ordre
Fabricant : cf. client

Nom du produit : **Collection de sols stratifiés ; 8 mm à 12 mm**
Nom du produit : *Collection de revêtements de sol stratifiés ; 8 mm à 12 mm*
Revêtement de sol pour l'intérieur / *Floor covering for interior use*

Classification : Cfl-s1
Classification :

Durée de validité : k. A.
Validity : ^/
1er exemplaire / original
Numéro d'édition : *Original*

Numéro de question : 09.02.2015

Date d'émission : Laboratoire de développement et de contrôle Holztechnologie GmbH
Date of issue : - EPH Domaine du laboratoire Contrôle des surfaces
Contractant (AN) : *Development and Examination Laboratory for Wood Technology Ltd - EPH*
Contractor : *Laboratory Surface Testing*

0766

Organisme notifié - N° Ingénieur diplômé Ch. Kniest
: Notified body - No. :

Responsable du traitement : *Engineer in charge :*



Dr - Ing. R. Emmmler

Responsable du secteur laboratoire de contrôle des surfaces / *Head of Laboratory Surface Testing*

Le rapport de classification comprend 4 pages. Toute reproduction partielle doit faire l'objet d'une autorisation écrite de l'EPH. Les résultats des essais se rapportent exclusivement aux matériaux testés. Ce rapport est rédigé en deux langues. En cas de doute, le texte allemand fait foi.

Le rapport de classification contient 4 pages. Toute duplication, même partielle, nécessite l'autorisation écrite d'EPH. Les résultats de ces tests sont exclusivement liés au matériel testé. Ce rapport a été publié en deux langues. En cas de doute, la version allemande est valable.

Directeur général
Ingénieur Dr. Bernd Devantier
Tribunal d'instance de Dresde HRB 8072
Numéro de TVA DE 21 60 77 44 6

Commerzbank AG
SWIFT : DRES DE FF 850
IBAN : DE 13 8508 0000 0400 2982 00

1 Introduction/ *Introduction*

Ce rapport de classification sur la réaction au feu définit la classification attribuée au produit de construction suivant, conformément aux procédures de la norme DIN EN 13501-1:2010 (D) :

Ce rapport de classification définit la réaction au classement au feu attribué au bâtiment suivant conformément aux procédures indiquées dans la norme DIN EN 13501-1:2010 (D) :

Laminatfußboden-Kollektion; 8 mm bis 12 mm

Laminate floor covering collection; 8 mm to 12 mm

2 Détails sur le produit de construction classé

Détails sur le produit de construction classifié

z.1 Généralités / *General*

Le produit de construction visé au paragraphe 1 appartient à la spécification technique européenne* suivante :

Le produit de construction mentionné à l'article 1 est conforme à la "Spécification technique européenne" suivante :

Sols stratifiés conformes à la norme
DIN EN 14041

*Revêtement de sol stratifié conforme à la
norme DIN EN 14041*

* à utiliser pour le marquage CE / *to apply for CE marking*

2.2 Description / *Description*

Classification des produits : produit de construction non

homogène Product *classification:* *nonhomogeneous*

building product **Domaine d'application :** Revêtement de sol

Max.

pour l'intérieur

Application en fin de vie

Revêtement de sol pour usage intérieur

Kollektion / collection

Min.

Épaisseur

nominale :

8 mm

12 mm

Épaisseur nominale

:

6,86 kg/m*

10,25 kg/m*

Masse surfacique :

voir rapport d'essai 2715005,

Mass per unit area :

paragraphe 2

Autres indications

cf. rapport d'essai 2715005, article 2

:

Plus de détails :

3 Bases de la classification/ *Bases for the classification*

La classification du produit de construction visée au paragraphe 2 est basée sur les documents ou données suivants.

La classification du produit de construction selon l'Article 2 se réfère aux documents/dates suivants.

3.1 Rapports de test / *Test reports*

Notifizierte Prüfstelle <i>Notified Testing body</i>	Auftraggeber <i>Ordered by</i>	Prüfbericht – Nr. <i>Test report – No.</i>	Prüfverfahren <i>Test procedure</i>
Développement et laboratoire de contrôle Holztechnologie GmbH (n° 0766)	SWISS KRONO GROUP Kronotex GmbH & Co. KG Heiligengrabe /Allemagne	2715005 (-A)	DIN EN ISO 11925-2:2010
		2715005 (-B.1) (-B.2)	DIN EN ISO 9239-1:2010

3.2 Résultats des tests / Test results

Test d'efficacité selon la norme DIN EN ISO 11925-2:2010

Test de source à flamme unique selon la norme DIN EN ISO 11925-2:2010

Type de contrainte Type d'exposition	15 s (20 s)	Inflammation de surface / <i>Surface impingement</i>
Paramètres / <i>caractéristiques</i>	N	Résultat du test / Exigence remplie <i>Résultat du test/exigences satisfaites</i>
F, s 150 mm hauteur max. de la flamme / <i>max. extent offlame</i>	6	Oui / Yes

aea, spruthung mhtêlnem compteur de chaleur gemtIs DIN EN ISO 9239-1:2010

8ur.ning'be.haviour using a radiant heat source according to DIN EN ISO 9239-1:2010

Paramètres / <i>Characteristics</i>	Résultat d'essai Exigence / classe N <i>Test result Limit value f class</i>	
	Valeur moyenne / <i>average</i>	Cu - s1
Flux de chaleur critique [kW/m] ² <i>Débit calorifique critique (kW/m*)</i>	5,83	2 4,5
Intégralité de la densité de fumée [% min] <i>Production de fumée intégrale (% min)</i>	339,7	s750

N ... Nombre de tests / *Number of tests*

4 Classification et champ d'application

Classification et champ d'application

4.1 Référence / Reference

La classification suivante concernant le comportement au feu du revêtement de sol décrit au paragraphe 2 a été effectuée conformément à la norme DIN EN 13501-1:2010, paragraphe 12. La réaction consécutive à la classification au feu du revêtement de sol, décrite à l'article 2, a été effectuée conformément à la norme DIN EN 13501-1:2010, article 12.

4.2 KlasSifizierung / classification

Le produit de construction **Collection de sols stratifiés ; 8 mm à 12 mm**
Le produit de construction Collection de revêtements de sol stratifiés ; 8 mm à 12 mm

est classé comme suit en fonction de son comportement au feu :
a été classé comme suit en ce qui concerne la réaction à la performance au feu :

Brandverhalten <i>Reaction to fire</i>		Raucher twicklung <i>Smoke froduction</i>		
Cfl	-	S	1	c'est-à-dire <i>i.e.</i> Cfl S1

Klassifizierung des Brandverhaltens:
Reaction to fire classification:

Cfl-s1

4.3 Champ d'application / Field of application

La classification de réaction au feu indiquée dans ce rapport de classification s'applique uniquement à la collection décrite au paragraphe 2 - Revêtement de sol en application directe pour une utilisation finale en tant que revêtement de sol intérieur, posé sur un support minéral avec ou sans utilisation d'adhésif.

La réaction au feu indiquée dans ce rapport de classification n'est valable que pour la collection de revêtements de sol décrite à l'article 2, pour une utilisation finale directe comme revêtement de sol à usage intérieur sur un sous-plancher minéral, en utilisant ou non des adhésifs.

5 Autres dispositions annexes / Further restriction clauses

- a) La classification ne concerne que les échantillons de la collection - revêtement de sol décrite au paragraphe 2, dans les conditions particulières des essais concernés. Elle ne doit pas être considérée comme le seul critère d'évaluation du risque d'incendie potentiel du produit de construction dans le cas d'application.

La classification s'applique uniquement à la réaction au feu de la collection de produits de revêtement de sol spécifiée à l'article 2 dans les conditions d'essai lors des tests. Elle ne doit pas être le seul critère d'évaluation du risque d'incendie potentiel du produit de construction en cas d'utilisation.

- b) La classification ne s'applique pas si, contrairement à ce qui est indiqué au paragraphe 2, le revêtement de sol est pourvu de revêtements de surface supplémentaires, de documents pour l'isolation/le blocage de l'humidité, etc., de sous-constructions ou d'autres modifications des paramètres du produit ou des paramètres pour l'utilisation finale selon la norme CEN/TS 15117.

La classification n'est pas valable si, contrairement aux spécifications de l'article 2, le revêtement de sol est pourvu de revêtements de surface supplémentaires, d'un substrat pour l'isolation/barrière d'humidité, etc., de sous-constructions ou d'autres modifications du produit ou des paramètres d'utilisation finale conformément à la norme CEN/TS 15117.

- c) Le rapport de classification a été rédigé sur la base d'essais de réaction au feu conformément à la norme DIN EN 13501-1:2010, mais ne constitue pas une homologation de type, une certification ou une autorisation de construction du produit requise par la législation nationale en matière de construction.

Le rapport de classification a été réalisé sur la base de la réaction aux tests d'incendie conformément à la norme DIN EN 13501-1:2010, mais ne représente pas une approbation de type, une certification ou une autre approbation technique générale du produit conformément aux réglementations nationales en matière de construction, respectivement.

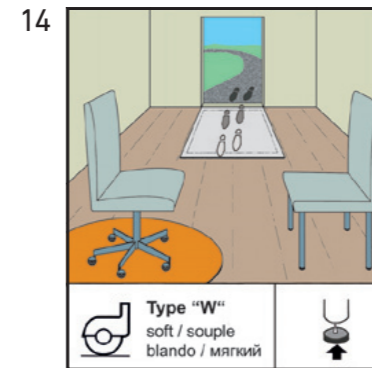
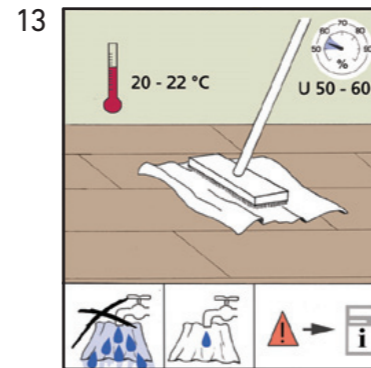
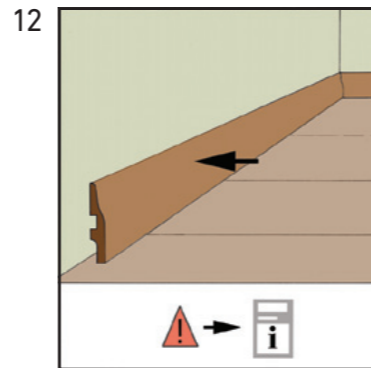
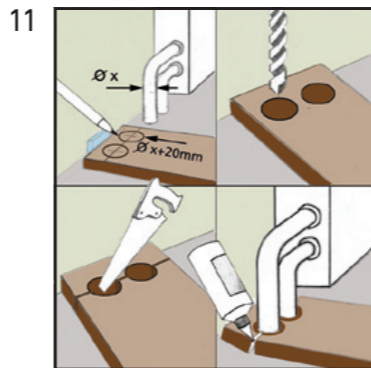
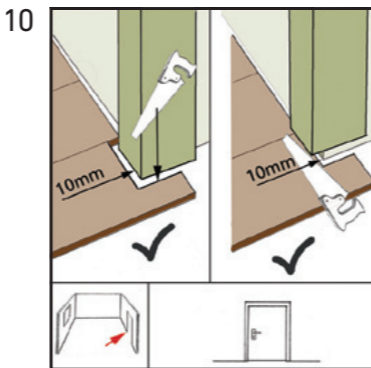
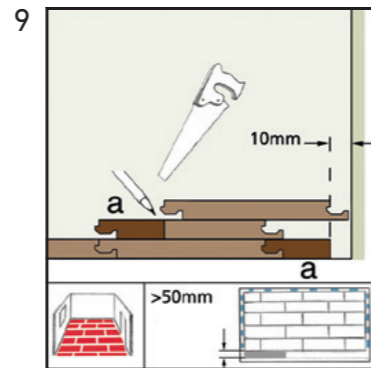
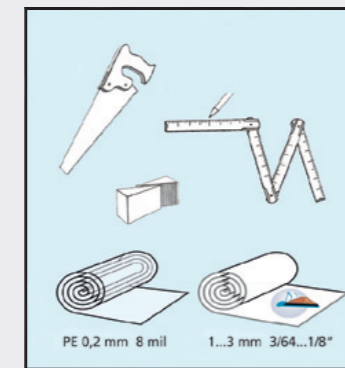
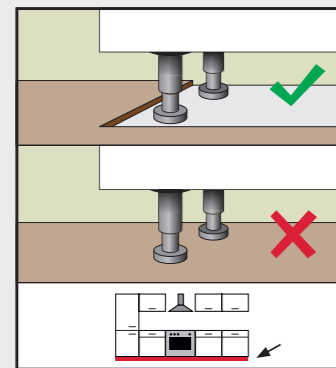
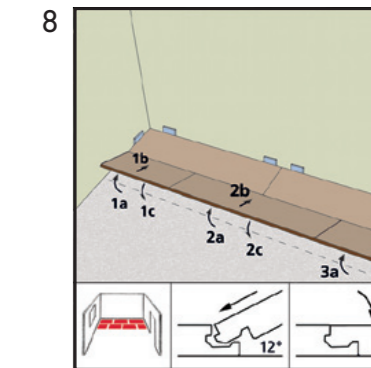
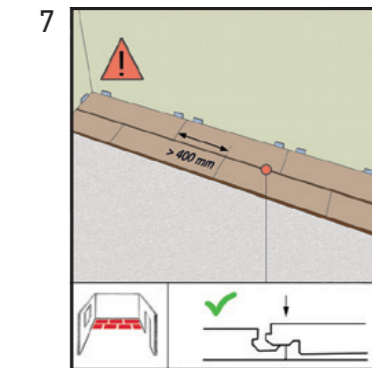
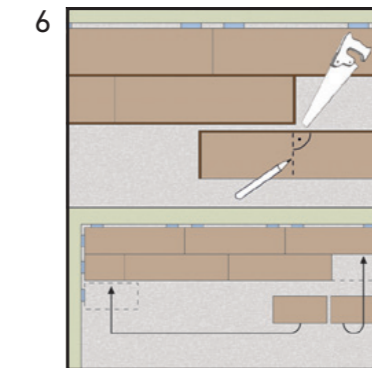
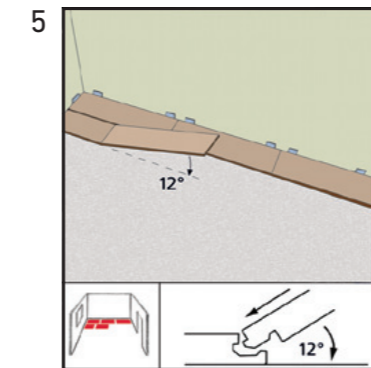
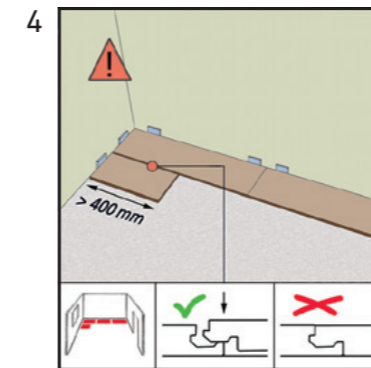
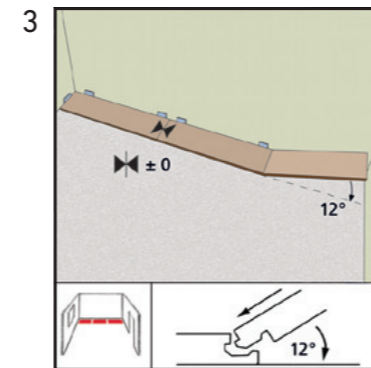
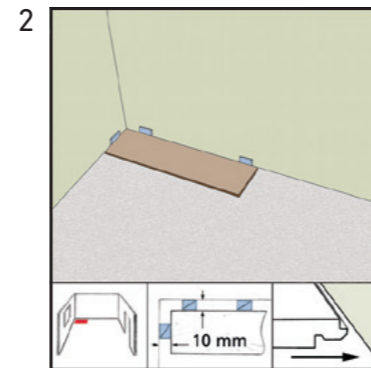
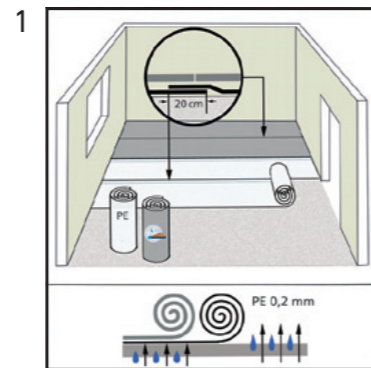
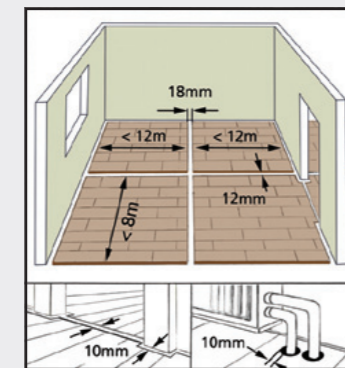
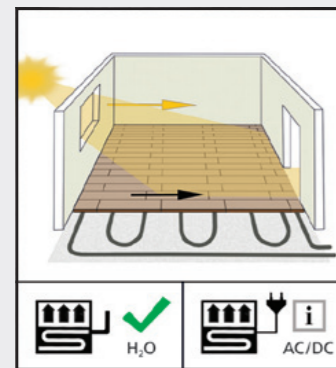
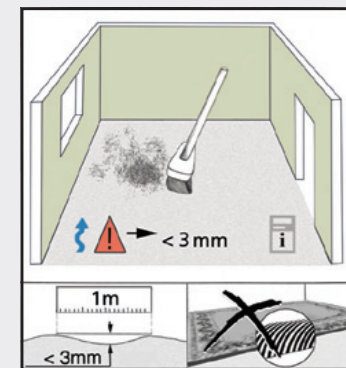
IV

Ch. Kniest, ingénieur diplômé

Responsable de l'étude

Ingénieur en charge

SUPERIOR





KRONOTEX Entretien des sols stratifiés



Un entretien optimal des sols stratifiés pour une longue durée de vie : lisez ici de précieuses informations et des conseils pratiques sur la manière de nettoyer et d'entretenir votre sol stratifié.

L'entretien des stratifiés est facile - conseils de professionnels de KRONOTEX

Les stratifiés KRONOTEX ne sont pas seulement très hygiéniques, ils sont également très faciles à entretenir et à nettoyer. Veuillez tenir compte des indications suivantes :

Éviter les traces d'utilisation dans le stratifié

Même si les sols stratifiés se nettoient sans trop d'efforts, le meilleur entretien consiste à éviter la saleté et l'usure. Collez des petits patins en feutre sur les pieds des chaises et des tables ou d'autres meubles que vous déplacez souvent, cela évitera de laisser des traces sur le stratifié. Pour les chaises pivotantes avec des roulettes aux pieds, veillez à ce qu'il s'agisse de roulettes souples en caoutchouc (appelées roulettes pour sols durs). Pour les zones fortement sollicitées, par exemple devant les bureaux, il est possible d'utiliser des tapis de protection, disponibles en différentes couleurs ou en version incolore et transparente. Il est conseillé d'installer des tapis de propreté à la porte d'entrée et dans les couloirs. Et si, malgré un bon entretien du stratifié, des taches apparaissent après un certain temps, il est conseillé

Guide des stratifiés
KRONOTEX
Entretien des sols stratifiés
de les enlever.



[Nous vous expliquons ici comment éliminer les petites rayures.](#)

Balayer, aspirer et essuyer les sols stratifiés

Pour les saletés plus grossières et non adhérentes, comme la sciure de bois produite après la pose du sol stratifié, il suffit de prendre un balai ou un aspirateur avec une buse d'aspiration adaptée aux sols durs. Comme le balayage soulève inutilement de la poussière, nous recommandons plutôt de passer l'aspirateur. Pour les salissures adhérentes ou les traces de chaussures de sport ou de meubles, essuyez votre sol stratifié avec un chiffon humide qui ne goutte pas. On appelle également cela un "balayage humide". Le chiffon ne doit donc pas être trop mouillé, mais seulement légèrement humide, afin que le sol sèche en quelques secondes. En principe, les stratifiés ne supportent pas trop d'eau. S'il vous arrive de faire couler quelque chose et de former une flaque sur le sol, ramassez immédiatement le liquide ! Les sols stratifiés avec le système AQUA-PEARL peuvent être nettoyés sans problème avec une serpillière humide ou un nettoyeur à vapeur (appareil ménager). Il est préférable de balayer dans le sens de la longueur du stratifié, c'est-à-dire parallèlement au tracé des panneaux. Un traitement d'entretien supplémentaire n'est pas nécessaire.

Entretien des stratifiés avec des produits de nettoyage

Dans la plupart des cas, de l'eau claire suffit. Si vous souhaitez utiliser des produits de nettoyage, optez pour des produits aussi doux que possible, car les produits agressifs endommagent les stratifiés. Les nettoyeurs spéciaux pour stratifiés sont adaptés. Il est déconseillé d'utiliser des produits de nettoyage contenant de la cire, du savon de Marseille ou du savon noir, car ils laissent des traînées et des traces inesthétiques.

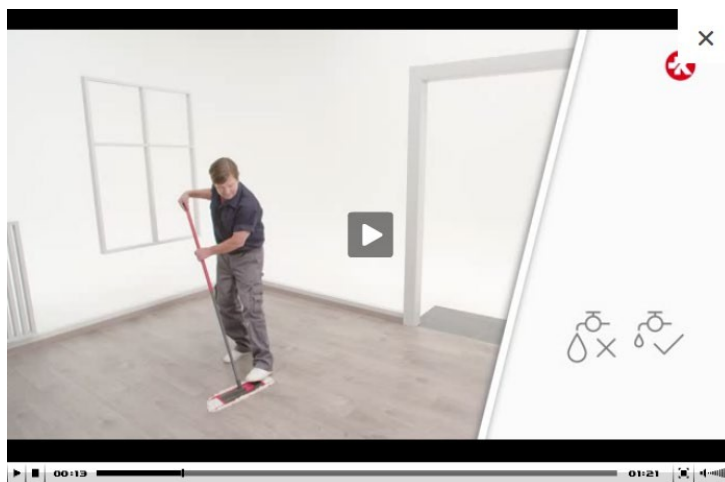
Des conditions ambiantes idéales pour les stratifiés

Les conditions ambiantes idéales pour les stratifiés sont une température de 20-22° Celsius et un taux d'humidité de 50-60 %. Un peu plus ou un peu moins n'est certainement pas un problème, car ces valeurs varient quelque peu. Mais s'il règne chez vous une humidité de l'air plus ou moins élevée en permanence, nous vous recommandons d'utiliser des humidificateurs ou des déshumidificateurs d'air. Le site

ne profite pas seulement au stratifié, mais assure également un climat intérieur plus agréable et est plus sain pour vous.

En bref, l'essentiel pour l'entretien des sols stratifiés :

- Nettoyage facile avec un balai ou un aspirateur
- Essuyer avec un chiffon humide en cas de saleté adhérente
- Système AQUA-PEARL pour le nettoyage avec une serpillière humide ou un nettoyeur vapeur à usage domestique
- Essuyer dans le sens de la longueur des panneaux
- En cas de salissures tenaces, utiliser un nettoyeur pour stratifiés.
- Placer des patins en feutre sous les meubles
- Utiliser des roulettes de chaise souples en caoutchouc
- Poser des tapis anti-salissures à la porte d'entrée et dans les couloirs
- Installer des zones de passage propres dans les bâtiments commerciaux



Herstellereklärung

Wir, die SWISS KRONO TEX GmbH & Co. KG gewähren eine Zusatzgarantie auf die Abriebbeständigkeit der Superior – Laminatböden, gemäß den unten genannten Bestimmungen. Die Garantiezeit beginnt mit dem Kaufdatum und ist in Jahren in der Tabelle dargestellt.

Kollektion	privat	gewerblich
Evolution	25 Jahre	3 Jahre
Progress	25 Jahre	3 Jahre
Advanced plus	25 Jahre	3 Jahre
Advanced	25 Jahre	3 Jahre
Catwalk	25 Jahre	3 Jahre
Standard plus	20 Jahre	2 Jahre
Standard	20 Jahre	2 Jahre
Basic	6 Jahre	-

Garantievoraussetzungen

SUPERIOR-Laminatpaneele müssen vor und während ihrer Verlegung auf vorhandene Mängel geprüft werden. Trotz sichtbarer Mängel verlegter SUPERIOR-Laminatboden ist von der Garantie ausgeschlossen. KRONOTEX-Laminatboden muss, entsprechend der Verlegeanleitung, fachgerecht in trockenen Räumen gemäß seiner jeweiligen Beanspruchungsklasse verlegt worden sein.

In Nassräumen verlegter SUPERIOR-Laminatboden ist von der Garantie ausgeschlossen. Abriebstellen an SUPERIOR-Laminatboden müssen auf einer Fläche von mindestens 1 cm² deutlich erkennbar sein; insbesondere muss die Dekorschicht vollständig abgerieben sein. Abriebstellen an den Elementkanten und durch außergewöhnliche und unsachgemäße, insbesondere mechanische Beanspruchung verursachte Beschädigungen sind von der Garantie ausgeschlossen. Zur Erhaltung der Garantie muss SUPERIOR-Laminatboden entsprechend der Pflegeanleitung regelmäßig gereinigt und gepflegt werden. Etwaige Garantieansprüche sind innerhalb von 30 Tagen nach Feststellung des Abriebs unter Vorlage der Originalrechnung beim Händler geltend zu machen. Zur Überprüfung von Garantieansprüchen erhält SWISS KRONO TEX GmbH & Co. KG das Recht, den betroffenen Boden vor Ort zu besichtigen.

Garantieleistungen

In Garantiefällen liefert SWISS KRONO TEX GmbH & Co. KG Ersatz für die beschädigten Elemente. Ist der betroffene SUPERIOR-Laminatboden nicht mehr lieferbar, kann der Käufer Ersatz gleichwertiger Qualität aus dem aktuellen Sortiment von SUPERIOR wählen. Da von einem jährlichen nutzungsbedingten Wertverlust des SUPERIOR-Laminatbodens von 10 % auszugehen ist, macht SWISS KRONO TEX GmbH & Co. KG eine Ersatzlieferung von einer entsprechenden Zuzahlung des Kunden abhängig.

Eine Haftung für weitere Schäden, insbesondere Folgeschäden – wie mit dem Ein- und Ausbau und dem Transport von beschädigtem SUPERIOR-Laminatboden verbundene Kosten – ist ausgeschlossen.

Heiligengrabe, den 19.03.2017



Thomas Schmaltz, Leiter Qualitätssicherung